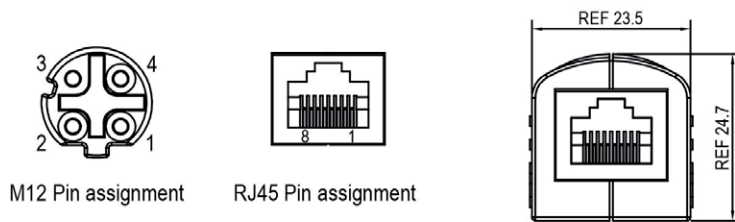
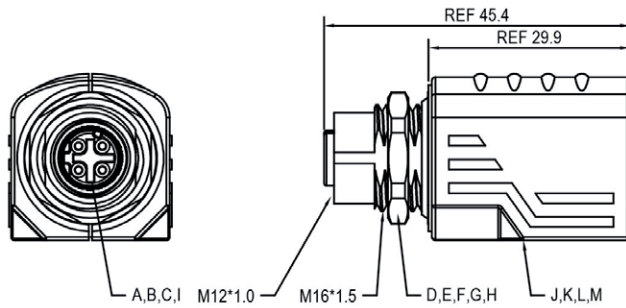


RJ45-M12 Thru Panel Adapter Female D-Coded Straight for use with Cat5e Cable ASITPA-4512FD-S



Letter	Name	Description
	Voltage (V)	150 Vdc
	Current (A)	1.5A
	Operating Temperature (°C)	-25 °C to +80 °C
	IP Rating	M12: IP67
	Weight (g):	25.8g
A	M12 Connector	M12 4P D-coding black, female
B	Sockets	Gold plated Brass
C	O-Ring	Black rubber
D	Wire	UL1061 24AWG
E	Thread	M12/M16 Nickel plated Brass
F	Resin	Black Epoxy
G	Ring	Black rubber
H	Nut	M16x1.5, Nickel plated Brass, Size: 18 x 3 mm
I	O-Ring	Green rubber
J	PCB	PCB L x W=30 x 20 mm
K	RJ45 Connector	RJ45 with shielding
L	Lower Cover	Black Nylon
M	Upper Cover	Black Nylon

